

Safety Warning

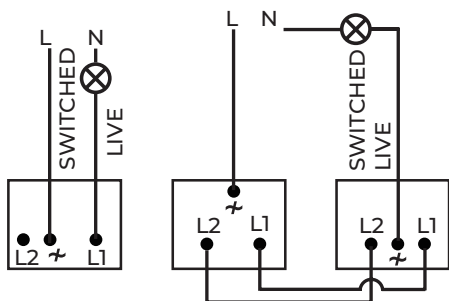
For your safety, this product must be installed in accordance with local Building Regulations. If in any doubt, or where required by the law, consult a competent person who is registered with an electrical self-certification scheme. Further information is available online or from your Local Authority. **FOR INDOOR USE ONLY**

Power Isolation

Please isolate mains prior to installation or maintenance. Ensure that no one else has access that would enable the supply to be inadvertently reconnected.

Installation

Always ensure the wall surface is flat and smooth. Connect the accessory as per the diagram below, ensuring the correct polarity is observed.



L – LIVE – Brown (after Apr 04) / Red (pre Apr 04)
N – Neutral – Blue (after Apr 04) / Black (pre Apr 04)

Check all electrical connections are secure with no loose strands of cable. Fit the unit into a suitable wall box taking care not to compress, damage or trap any cables, and secure with the screws provided. If using metal mounting boxes with four lugs, remove the top and bottom lugs or bend fully back.

General

This product should be recycled in the correct manner when it reaches the end of its life. Check local authorities for where facilities exist.

Clean with a soft dry cloth only, do not use aggressive cleaning products or solvents which may damage the product and invalidate the warranty.

Technical

Voltage: 220-240V~
Frequency: 50/60Hz
Dimmer type: trailing edge
Rating: See tables below
Terminal capacity: 2 x 1mm² 2 x 1.5mm²
Min box depth: 35mm



Incandescent and Eco Halogen Lamps

No of dimmers	Max each dimmer	Max total per plate
1	200W	200W
2	150W	300W

Load Information

Lamp Type	Rating
Incandescent	5-200VA
Eco-halogen	20-200VA
Dimmable LED	5-100W, 1-10 Dimmable LED's
Dimmable CFL	5-100W, 1-8 Dimmable CFL's
High Voltage Halogen	20-200VA

LED Lamps

No of dimmers	Load per dimmer	Max total per dimmer	Max per plate	Max total per plate
1	5-100W	≤10	100W	≤10
2	5-100W	≤10	200W	≤20

CFL Lamps

No of dimmers	Load per dimmer	Max total per dimmer	Max per plate	Max total per plate
1	5-100W	≤8	100W	≤8
2	5-100W	≤8	200W	≤16

Warning – do not exceed the load rating of this device as stated on the rear of the product.